

ALL RIGHTS RESERVED. THIS DRAWING AND THE DESIGN HEREIN THEREON ARE COPYRIGHTED AS PROVIDED BY THE LAWS OF THE UNITED STATES AND ARE THE PROPERTY OF GMK ASSOCIATES ARCHITECTURAL DESIGN. ANY AND ALL REPRODUCTION OR COPYING TO BE REPRODUCED THE WHOLE OR PART OF THESE DRAWINGS OR THE DESIGN THEREON WITHOUT PERMISSION OF THE ARCHITECT WILL BE SUBJECT TO LEGAL ACTION.

consultants:

owner:



project name:
COKER - 7th FLOOR
PHARMACY RENOVATION
State project number:
H27-6101
proj. no. number:
12023.01

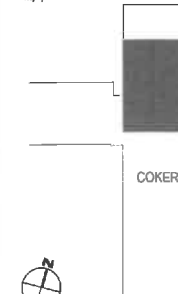
scale/signature:

Issued for
CONSTRUCTION

date
APRIL 23, 2013

num	rev	date

key plan:



sheet title:
**PARTIAL SEVENTH FLOOR DIMENSION
AND ANNOTATION PLANS**

sheet number:

A2.7

drawn by: RIC
checked by: DMW

7TH FLOOR
BUILDING 099

① PARTIAL SEVENTH FLOOR DIMENSION PLAN
1/8" = 1'-0"

7TH FLOOR
BUILDING 099

② PARTIAL SEVENTH FLOOR ANNOTATION PLAN
1/8" = 1'-0"

GENERAL FLOOR PLAN NOTES

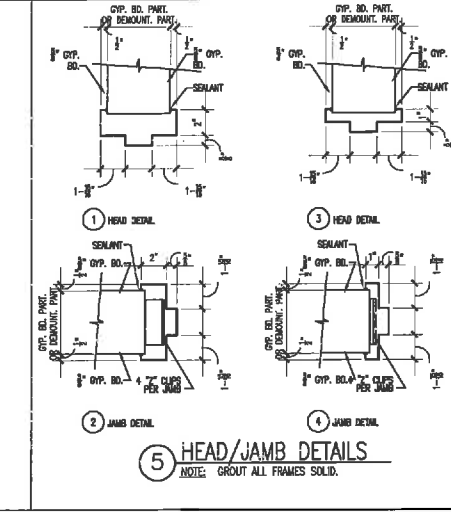
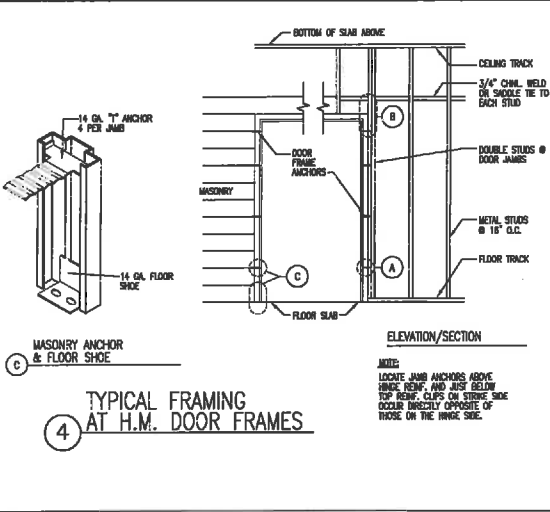
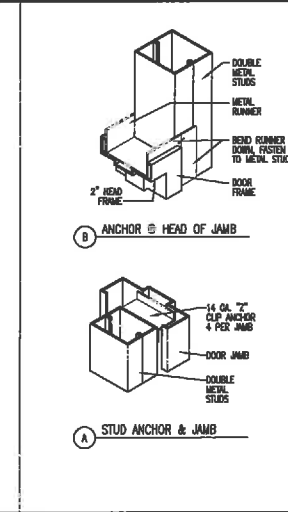
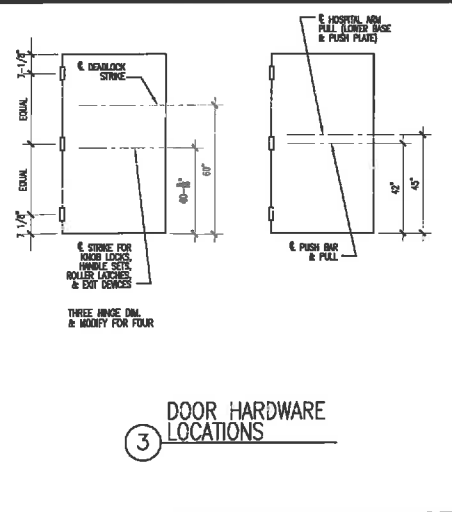
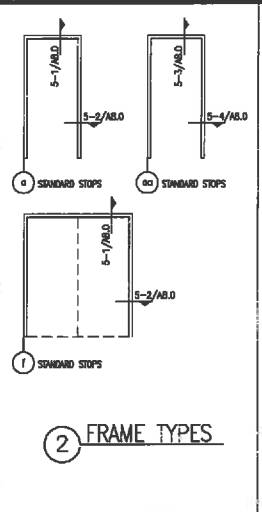
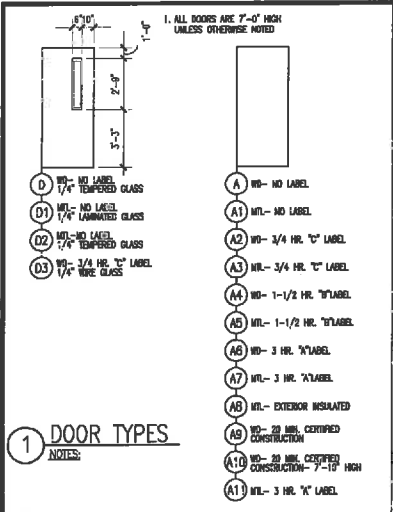
REFER TO A&D FOR ALL SYMBOL DEFINITIONS AND GENERAL NOTES
REFER TO A&D FOR WALL TYPES

KEYED FLOOR PLAN NOTES

- ① GAS CYLINDERS AND TANK EHOOKERS BY OWNER.
- ② RE-INSTALL CEILING MOUNTED PROJECTION SCREEN.
- ③ RE-INSTALL CHALKBOARD.
- ④ NEW FLOORING FLUSH WITH EXISTING TERRAZZO.
- ⑤ REPAIR DAMAGES FROM REMOVED CONSTRUCTION AND REPAINT EXISTING PARTITIONS. PAINT TO MATCH EXISTING COLOR OR NEW COLOR AS DIRECTED BY OWNER.

ALL RIGHTS RESERVED. THIS DRAWING AND THE DESIGN SHOWN THEREON ARE CONSIDERED AS PREPARED BY THE LAUREL OF THE UNITED STATES AND ARE THE PROPERTY OF GMK ASSOCIATES. FURTHER REPRODUCTION WITHOUT EXPRESS WRITTEN PERMISSION OF GMK ASSOCIATES IS PROHIBITED. NO PART OF THESE DRAWINGS OR THE DESIGN THEREON WITHOUT PERMISSION OF THE ARCHITECT WILL BE SUBJECT TO LEAK ACTION.

consultants



FINISH SCHEDULE									
ROOM NUMBER	ROOM NAME	SURFACE	FLOOR	ACCOUNT	NAME	WALLS	CEILING	MILWORK MATERIALS	REMARKS
H702	CORRIDOR	TERR. (EX)	VCT		PNT	PNT			* NEW AC. TILE IN EXISTING GRID
H705	CORRIDOR		VCT		PNT	PNT			
H708	CORRIDOR		PNT		PNT	PNT			
709	LABORATORY #1		PNT		PNT	PNT			
710	LABORATORY #2		PNT		PNT	PNT			
710A	OFFICE		PNT		PNT	PNT			
710B	TISSUE CULTURE		PNT		PNT	PNT			
711	MICROSCOPY #2		PNT		PNT	PNT			
712	ARLOCK		PNT		PNT	PNT			
712A	TISSUE CULTURE		PNT		PNT	PNT			
712B	TISSUE CULTURE		PNT		PNT	PNT			
713	OFFICE		PNT		PNT	PNT			
713A	OFFICE		PNT		PNT	PNT			
713B	OFFICE		PNT		PNT	PNT			
713C	OFFICE		PNT		PNT	PNT			
713D	OFFICE		PNT		PNT	PNT			
714	FLOW		PNT		PNT	PNT			
714A	OFFICE		PNT		PNT	PNT			
714B	MICROSCOPY #1		PNT		PNT	PNT			
716	CONFERENCE		PNT		PNT	PNT			
716D	BREAK ROOM		PNT		PNT	PNT			
717	LABORATORY		PNT		PNT	PNT			* ALL NEW FINISHES TO MATCH EXISTING ONLY TOUCH UP AS REQUIRED
717A	OFFICE		PNT		PNT	PNT			
717B	STORAGE		PNT		PNT	PNT			

DOOR SCHEDULE					
ROOM NAME	DOOR NUMBER	DOOR ELEV	DOOR SIZE	FRAME ELEV	HOWR SET
CORRIDOR	H702-A	D	3'-0" X 7'-0"	00	EXISTING DOOR & FRAME, NEW HARDWARE, OFFICE FUNCTION
CORRIDOR	H702-B	D	3'-0" X 7'-0"	00	EXISTING DOOR & FRAME, NEW HARDWARE, OFFICE FUNCTION
CORRIDOR	H702-C	D	3'-0" X 7'-0"	00	EXISTING DOOR & FRAME, NEW HARDWARE, OFFICE FUNCTION
CORRIDOR	H708	D	3'-0" X 7'-0"	00	EXISTING DOOR, NEW FRAME, NEW HARDWARE, OFFICE FUNCTION
LAB #2	710	D	3'-0" X 7'-0"	00	EXISTING DOOR, NEW FRAME, NEW HARDWARE, OFFICE FUNCTION
OFFICE	710A	A	3'-0" X 7'-0"	00	EXISTING DOOR, NEW FRAME, NEW HARDWARE, OFFICE FUNCTION
MICROSCOPY #2	711	D	3'-0" X 7'-0"	00	EXISTING DOOR, NEW FRAME, NEW HARDWARE, OFFICE FUNCTION
ARLOCK	712-A	D	3'-0" X 7'-0"	00	EXISTING DOOR, NEW FRAME, NEW HARDWARE, OFFICE FUNCTION
ARLOCK	712-B	D	3'-0" X 7'-0"	00	EXISTING DOOR, NEW FRAME, NEW HARDWARE, OFFICE FUNCTION
OFFICE	713A	A	3'-0" X 7'-0"	00	EXISTING DOOR, NEW FRAME, NEW HARDWARE, OFFICE FUNCTION
OFFICE	713B	A	3'-0" X 7'-0"	00	EXISTING DOOR, NEW FRAME, NEW HARDWARE, OFFICE FUNCTION
OFFICE	713C	A	3'-0" X 7'-0"	00	EXISTING DOOR, NEW FRAME, NEW HARDWARE, OFFICE FUNCTION
OFFICE	713D	A	3'-0" X 7'-0"	00	EXISTING DOOR, NEW FRAME, NEW HARDWARE, OFFICE FUNCTION
FLOW	714	A	3'-0" X 7'-0"	00	EXISTING DOOR, NEW FRAME, NEW HARDWARE, OFFICE FUNCTION
MICROSCOPY #1	714B	D	3'-0" X 7'-0"	00	EXISTING DOOR & FRAME, NEW HARDWARE, OFFICE FUNCTION
CONFERENCE	716-A	A	3'-0" X 7'-0"	00	EXISTING DOOR & FRAME, NEW HARDWARE, OFFICE FUNCTION
CONFERENCE	716-B	A	PR 3'-0" X 7'-0"	f	NEW DOOR & FRAME, NEW HARDWARE, OFFICE FUNCTION
BREAK ROOM	716D	A	3'-0" X 7'-0"	00	EXISTING DOOR, NEW FRAME, NEW HARDWARE, OFFICE FUNCTION
LABORATORY	717A	A	3'-0" X 7'-0"	00	EXISTING DOOR, NEW FRAME, NEW HARDWARE, OFFICE FUNCTION
OFFICE	717A	A	3'-0" X 7'-0"	00	EXISTING DOOR, NEW FRAME, NEW HARDWARE, OFFICE FUNCTION

LEGEND:
 CPT - CEMENT
 PNT - PAINT
 RB - RUBBER BASE
 ACT - ADJUSTABLE TILE CEILING
 TW - TORAZZO (EXISTING)
 VCT - VINYL COMPOSITION TILE 5'x5' SHEET VINYL

GENERAL NOTES:
 1. WHERE PAINT IS CALLED FOR, PAINT ALL WALLS OF THE ROOM WHETHER NEW OR EXISTING, EXCEPT FOR LABORATORY 717.
 2. RUBBER BASE TO BE APPLIED TO ALL WALLS WHETHER NEW OR EXISTING AND TO BASE OF ALL MILWORK INDICATED. LABORATORY 717 ONLY REQUIRES BASE TO MATCH EXISTING WHERE WALLS, MILWORK OR EQUIPMENT IS REQUIRED.
 3. INSTALL SLAB LEVEL/TOPPING SLAB THROUGHOUT ENTIRE AREA OF THE PROJECT, EXCEPT EXISTING MAIN CORRIDOR H702 WHERE EXISTING FLOORING IS TO REMAIN.

FINISH SELECTIONS:
 CPT: Bentley, Color Co-Dependent 80008
 VCT: Marquette 137 Standard
 RB: Reyes, P110 Brown, (oil finish)
 PNT: Sherwin-Williams 58154 Moore

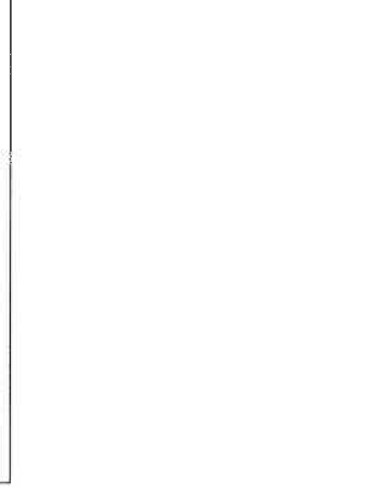
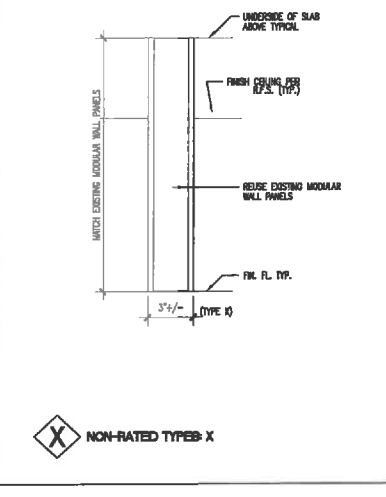
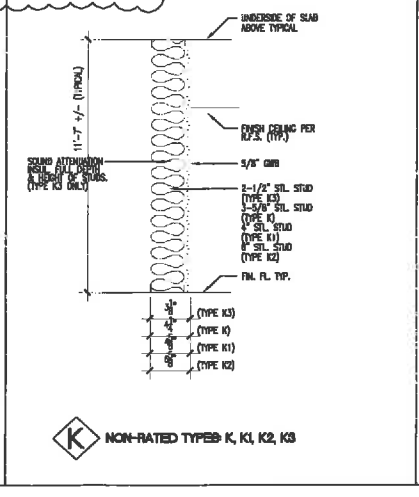
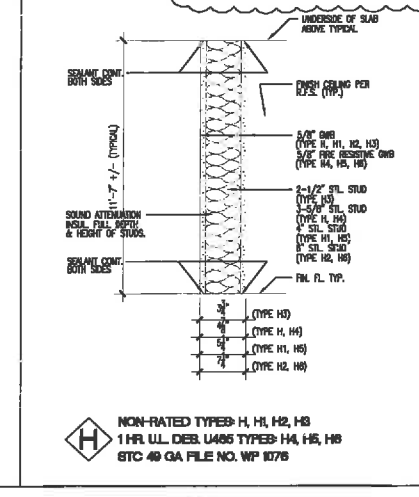
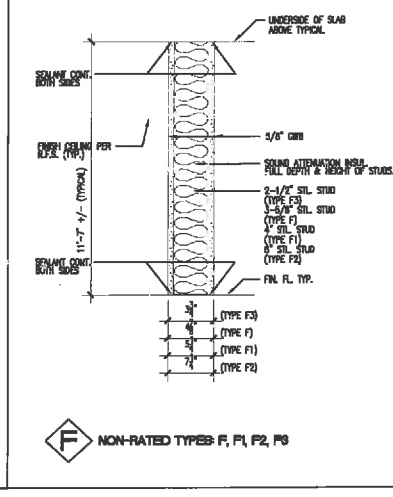
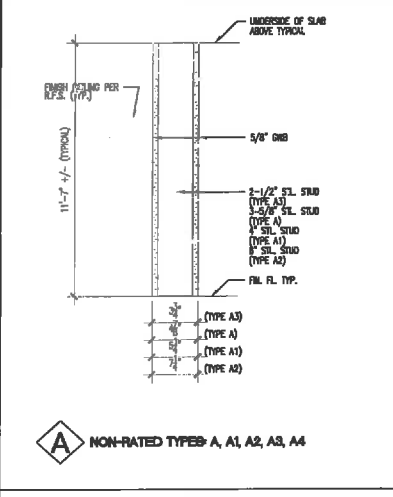
MILWORK COLOR SELECTIONS:
 1. Metal cabinet sides & fronts: Mill Co. 991000
 2. Metal cabinet doors and drawer fronts: Mill Co./H&R Blue 09148
 3. Laminate tops: Wilsonart Conquest Laminate, Qalite 1787-80
 4. Laminate top edge band: 3mm Black
 5. Laminate cabinet and door and drawer fronts: Wilsonart Conquest Laminate, Featherstone 072-80
 6. Laminate door and drawer front edge banding: Sherwin-Williams Black Complex to match the Wilsonart Conquest Laminate, Featherstone 072-80.

DOOR HARDWARE:
 1. ALL HARDWARE TO BE 6061 OPERATIONAL GRADE 1 - HEAVY DUTY COMMERCIAL.
 2. ALL HARDWARE SHALL MEET AND 117.1 AND ADA AS APPLICABLE.
 3. FINISH SHALL BE BRN NICKEL.
 4. KEYING SHALL BE COORDINATED WITH OWNER AND KEYS PROVIDED.
 5. EXACT TONE, FINISH AND STYLE SHALL MATCH EXISTING 7TH FLOOR HARDWARE.
 6. HARDWARE SUPPLIER SHALL COORDINATE WITH DOOR AND FRAME SUPPLIER OR PREPARATION FOR HARDWARE.
 7. MINIMUM 7 YEAR WARRANTY.
 8. SUBMIT SCHEDULE, SPEC, PRODUCT DATA TO THE ARCHITECT FOR APPROVAL AS PER SECTION 01300.

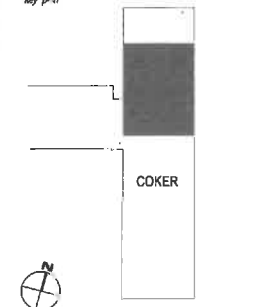
STOREROOM FUNCTION:
 A. 3 MORTISE HINGES EACH DOOR LEAF FOR DOORS UP TO 3'-0" WIDE. FOR DOORS OVER 3'-0" WIDE PROVIDE 4 HINGES.
 B. 1 MORTISE LOCKSET (LEVER), STOREROOM FUNCTION.
 C. DOOR SLIDERS IN FRAME.
 D. OVERHEAD STOP OR WALL BUMPER AS REQUIRED.

OFFICE FUNCTION:
 A. 3 MORTISE HINGES EACH DOOR LEAF FOR DOORS UP TO 3'-0" WIDE. FOR DOORS OVER 3'-0" WIDE PROVIDE 4 HINGES.
 B. 1 MORTISE LOCKSET (Lever), OFFICE FUNCTION.
 C. DOOR SLIDERS IN FRAME.
 D. OVERHEAD STOP OR WALL BUMPER AS REQUIRED.
 E. CLOSER ON DOORS H702-A, H702-B, H702-C, 714B, 716-A AND 716D.
 F. MANUAL FLUSHBOLTS ON BACTIVE LEAF OF DOUBLE DOORS.

PREP AND REPAIR ALL REUSED EXISTING DOORS.



number	item	date
1	FINISH SELECTIONS	4/2/14



Design/Planning/Construction
1201 Main Street, Suite 2100
Columbia, S.C. 29201
Tel: 803-256-0000
Fax: 803-256-7213

ALL NOTED REVISIONS, THIS DRAWING AND THE DESIGN SHOWN THEREON ARE CONSIDERED AS PROVIDED BY THE LAWS OF THE UNITED STATES AND ARE THE PROPERTY OF GMK ASSOCIATES, INC. NO PART OF THIS DRAWING OR ANY INFORMATION CONTAINED HEREIN OR CONTAINED TO BE REPRODUCED IN ANY MANNER OR FOR ANY PURPOSE WITHOUT THE WRITTEN PERMISSION OF THE PROJECT OWNER WILL BE SUBJECT TO LEGAL ACTION.

consultants

owner



proj. # name
**COKER - 7th FLOOR
PHARMACY RENOVATION**

State project number:
H27- 6101

project number
12023.01

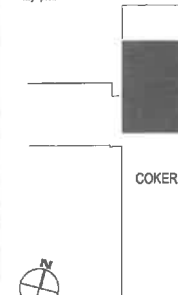
scale/typ. scale

Issued for
CONSTRUCTION

date
APRIL 23, 2013

number	description	date

key plan



Sheet title
**PARTIAL SEVENTH FLOOR
EQUIPMENT PLAN
EQUIPMENT SCHEDULE**

sheet number

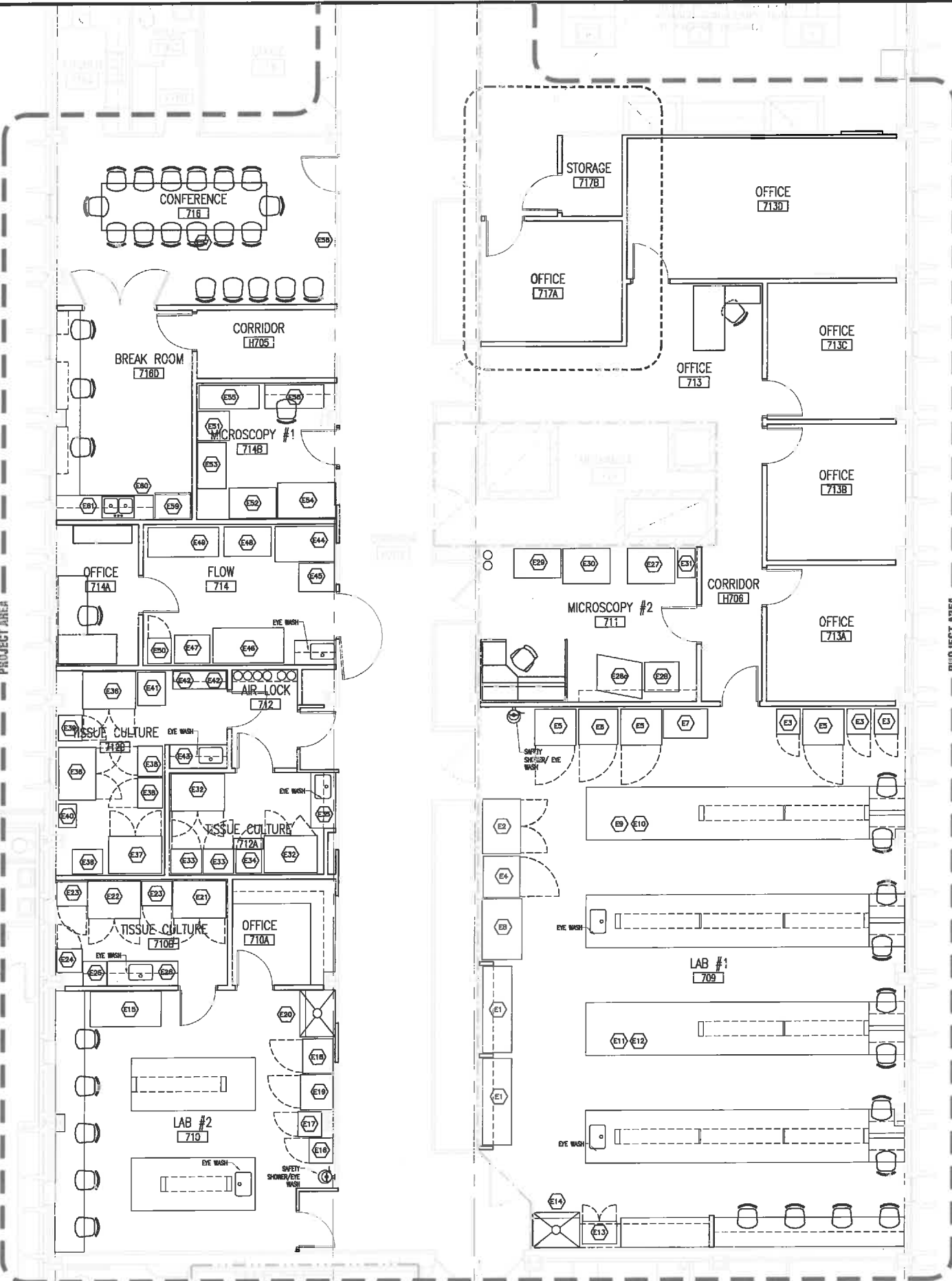
A11.7

designed by **RIC**
checked by

EQUIPMENT SCHEDULE								
MARK	QTY.	DESCRIPTION	NEW/EX	MFR./MODEL	LOCATION	SIZE (WxDxH)	SERVICES	NOTES
LABORATORY #1 - ROOM 709								
E1	2	-80C CHEST FREEZER	EX		FLOOR	66x26x	E	119V-19A, EMERGENCY
E2	1	GLASS DOOR HC	EX		FLOOR	52x7x	E	119V-11A
E3	3	REFRIGERATOR/FREEZER	EX		FLOOR	24x26x	E	119V-11A
E4	1	-80C UPRIGHT FREEZER	EX	REVCO/UA17H6-B	FLOOR	42x7x	E	209V-19A, EMERGENCY
E5	3	-80C UPRIGHT FREEZER	EX		FLOOR	42x7x	E	119V-19A, EMERGENCY
E6	1	-20C FREEZER	EX		FLOOR	42x6x	E	119V-13.5A, EMERGENCY
E7	1	BACTERIAL SPREADER	EX		FLOOR	42x26x	E	120V-3A
E8	1	PCR HOOD	EX		BENCH	62x6x	E, V	119V-10A
E9	1	PCR MACHINE	EX		BENCH	-	E	220V-15A, EMERGENCY
E10	1	PLATE READER	EX	FLUOTAR/OPTIMA	BENCH	-	E	119V-2A
E11	1	MANGROF	EX		BENCH	-	E	119V-15A
E12	1	IMAGING STATION	EX		BENCH	-	E	115V-2A
E13	1	FLAMMABLE LIQUIDS CABINET	EX		FLOOR	35x24x3	-	
E14	1	FUME HOOD	NEW	HAMILTON CONCEPT/HIGHLINE	BENCH	68x47x3	E, V, W, A, CO2	120V
LABORATORY #2- ROOM 710								
E15	1	-80C CHEST FREEZER	EX	REVCO	FLOOR	74x4x	E	119V-19A, EMERGENCY
E16	1	REFRIGERATOR/FREEZER	EX		FLOOR	24x26x	E	119V-11A
E17	1	REFRIGERATOR/FREEZER	EX		FLOOR	24x26x	E	119V-11A, EMERGENCY
E18	1	-20C FREEZER	EX	AMMUN	FLOOR	35x31x	E	117V-13.5A, EMERGENCY
E19	1	-80C UPRIGHT FREEZER	EX	FORMA 301	FLOOR	39x17x	E	119V-19A, EMERGENCY
E20	1	FUME HOOD	NEW	HAMILTON CONCEPT/HIGHLINE	BENCH	48x47x3	E, V, W, A, CO2	120V
TISSUE CULTURE- ROOM 710B								
E21	1	BIOSAFETY CABINET	EX	LABCONCO	FLOOR	69x77x	E, V	119V-12A, EMERGENCY
E22	1	INCUBATOR - 2 STACK	EX	THERMO	FLOOR	56x4x	E, V	120V-6A, EMERGENCY
E23	2	INCUBATOR - 2 STACK	EX		FLOOR	26x17x	E, CO2	120V-5.2A, EMERGENCY
E24	1	REFRIGERATOR/FREEZER	EX		FLOOR	24x26x	E	119V-11A
E25	1	T.C. MICROSCOPE	EX		BENCH	-	E	
E26	1	CENTRIFUGE	EX		CNTR.	-	E	
MICROSCOPY #2- ROOM 711								
E27	1	AIR TABLE	EX	LEICA/DM IRE2	FLOOR	49x38x	E, V (50 psi/min)	119V-12A, 1900 W (max)
E28	1	AIR TABLE	EX	LEICA/AS20W	FLOOR	35x30x	E, V (60 psi/min)	119V-16A, 1800 W (max), EMERGENCY
E29a	1	MW WORKSTATION	EX		FLOOR	4x4x6	E	119V, EMERGENCY
E29	1	AIR TABLE	EX	LEICA/ADVERT 2E	FLOOR	35x30x	E, V (50 psi/min)	119V-16A, 1800 W (max)
E30	1	SEER TABLE	EX		FLOOR	47x36x	E	119V-16A, 1800 W (max)
E31	1	FILE CABINET	EX		FLOOR	-	E	
TISSUE CULTURE- ROOM 712A								
E32	2	BIOSAFETY CABINET	EX		FLOOR	62x64x	E, V	119V-13.5A, EMERGENCY
E33	2	INCUBATOR - 3 STACK	EX		FLOOR	25x31x	E	119V-3.6A, EMERGENCY
E34	1	REFRIGERATOR/FREEZER	EX		FLOOR	24x26x	E	119V-11A, EMERGENCY
E35	1	CENTRIFUGE	EX		CNTR.	-	E	
TISSUE CULTURE- ROOM 712B								
E36	2	BIOSAFETY CABINET	EX		FLOOR	56x38x	E, V	119V-13.5A, EMERGENCY
E37	1	BIOSAFETY CABINET	EX		FLOOR	56x38x	E, V	119V-17.5A, EMERGENCY
E38	3	INCUBATOR - 2 STACK	EX		FLOOR	25x31x	E, CO2	119V-3.6A, EMERGENCY
E39	1	REFRIGERATOR/FREEZER	EX		FLOOR	24x26x	E	119V-11A, EMERGENCY
E40	1	CELL COUNTER	EX		BENCH	24x18x	E	120V-1A
E41	1	CENTRIFUGE	EX	AVANTI/J-300P	FLOOR	28x34x	E	200V-23A
E42	2	T.C. MICROSCOPE	EX		BENCH	-	E	
E43	1	CENTRIFUGE	EX		CNTR.	-	E	
FLOW- ROOM 714								
E44	1	FCOM (ON TABLE)	EX		FLOOR	80x28x	E	119V-20A
E45	1	COMPUTER FOR FCOM	EX		FLOOR	36x30x	E	119V
E46	1	LSR II (ON TABLE)	EX		FLOOR	80x54x	E	120V-15A
E47	1	COMPUTER FOR LSR II	EX		FLOOR	36x30x	E	120V
E48	1	PCR (ON TABLE)	EX		FLOOR	48x30x	E	119V, 1500 W (max)
E49	1	COMPUTER FOR PCR	EX		FLOOR	32x30x	E	119V
E50	1	REFRIGERATOR/FREEZER	EX		FLOOR	24x26x	E	119V-11A, EMERGENCY
MICROSCOPY #1- ROOM 714A								
E51	1	MICROSCOPE (ON AIR TABLE)	EX	OLYMPUS/DM1	FLOOR	32x30x	E, V (50 psi/min)	119V-16A
E52	1	CONFOCAL MICROSCOPE (ON AIR TABLE)	EX	ZEISS/LSM700	FLOOR	47x31x	E, V (50 psi/min)	119V-19A, EMERGENCY
E53	1	CONFOCAL WORKSTATION	EX		FLOOR	47x29x	E	119V, EMERGENCY
E54	1	MICROSCOPE (ON AIR TABLE)	EX	LEICA/DM IRE2	FLOOR	38x34x	E, V (50 psi/min)	119V-16A, 1800 W (max)
E55	1	TABLE	EX		FLOOR	80x44x	E	
E56	1	DESK	EX		FLOOR	-	E	
CONFERENCE- ROOM 715								
E57	1	PROJECTOR	EX	OLYMPUS/D-21	CEILING	-	E, DATA	
E58	1	PROJECTION SCREEN	EX	ZEISS/LSM700	WALL	-	E, V?	
BREAK ROOM 716D								
E59	1	DOUBLE DOOR REFRIGERATOR	NEW		FLOOR	-	E, W	120V
E60	1	MICROWAVE	NEW		CABT.	-	E	120V
E61	1	COFFEE MAKER	NEW		CNTR.	-	E, V	120V

LEGEND

- A COMPRESSED AIR
- CO2 CARBON DIOXIDE
- D DATA CONNECTION
- E ELECTRIC POWER
- V VACUUM
- W WATER (HOT & COLD)



PARTIAL SEVENTH FLOOR EQUIPMENT PLAN
1/4" = 1'-0"